

Stainless Steel Ball Lock Cable Ties, Heavy Duty

Technical Information:

Material A) 316 grade non-magnetic stainless steel
B) 304 grade non-magnetic stainless steel

Temperature Range - 80°C to + 500°C

Surface Finish Metallic (Uncoated), Polyester & Epoxy (Coated)

Flamability rating Absolutely fireproof, UV-resistant and Halogen free



Ball Lock Uncoated-SS304, 12.7mm width

Part No.	Material	Width		Length		Thickness		Max Diameter Single Loop		Minimum Loop Tensile Strength		Package Quantity
		In	mm	In	mm	In	mm	In	mm	N	lbs	
BU124-100	SS304	0.50	12.7	4	100	0.02	0.40	1.1	27	3115	700	100/bag
BU124-150	SS304	0.50	12.7	6	150	0.02	0.40	1.7	43	3115	700	100/bag
BU124-200	SS304	0.50	12.7	8	200	0.02	0.40	2.3	59	3115	700	100/bag
BU124-260	SS304	0.50	12.7	10	260	0.02	0.40	3.1	78	3115	700	100/bag
BU124-360	SS304	0.50	12.7	14	360	0.02	0.40	4.3	110	3115	700	100/bag
BU124-520	SS304	0.50	12.7	20	520	0.02	0.40	6.3	161	3115	700	100/bag
BU124-620	SS304	0.50	12.7	24	620	0.02	0.40	7.6	192	3115	700	100/bag
BU124-840	SS304	0.50	12.7	33	840	0.02	0.40	10.4	263	3115	700	100/bag
BU124-1000	SS304	0.50	12.7	39	1000	0.02	0.40	12.3	313	3115	700	100/bag

Ball Lock-Uncoated-SS316, 12.7mm width

Part No.	Material	Width		Length		Thickness		Max Diameter Single Loop		Minimum Loop Tensile Strength		Package Quantity
		In	mm	In	mm	In	mm	In	mm	N	lbs	
BU126-100	SS316	0.50	12.7	4	100	0.02	0.40	1.1	27	3115	700	100/bag
BU126-150	SS316	0.50	12.7	6	150	0.02	0.40	1.7	43	3115	700	100/bag
BU126-200	SS316	0.50	12.7	8	200	0.02	0.40	2.3	59	3115	700	100/bag
BU126-260	SS316	0.50	12.7	10	260	0.02	0.40	3.1	78	3115	700	100/bag
BU126-360	SS316	0.50	12.7	14	360	0.02	0.40	4.3	110	3115	700	100/bag
BU126-520	SS316	0.50	12.7	20	520	0.02	0.40	6.3	161	3115	700	100/bag
BU126-620	SS316	0.50	12.7	24	620	0.02	0.40	7.6	192	3115	700	100/bag
BU126-840	SS316	0.50	12.7	33	840	0.02	0.40	10.4	263	3115	700	100/bag
BU126-1000	SS316	0.50	12.7	39	1000	0.02	0.40	12.3	313	3115	700	100/bag

Ball Lock-Coated-SS304, 12.7mm width

Part No.	Material	Width		Length		Thickness		Max Diameter Single Loop		Minimum Loop Tensile Strength		Package Quantity
		In	mm	In	mm	In	mm	In	mm	N	lbs	
BC124-100	SS304	0.50	12.7	4	100	0.02	0.40	1.1	27	3115	700	100/bag
BC124-150	SS304	0.50	12.7	6	150	0.02	0.40	1.7	43	3115	700	100/bag
BC124-200	SS304	0.50	12.7	8	200	0.02	0.40	2.3	59	3115	700	100/bag
BC124-260	SS304	0.50	12.7	10	260	0.02	0.40	3.1	78	3115	700	100/bag
BC124-360	SS304	0.50	12.7	14	360	0.02	0.40	4.3	110	3115	700	100/bag
BC124-520	SS304	0.50	12.7	20	520	0.02	0.40	6.3	161	3115	700	100/bag
BC124-620	SS304	0.50	12.7	24	620	0.02	0.40	7.6	192	3115	700	100/bag
BC124-840	SS304	0.50	12.7	33	840	0.02	0.40	10.4	263	3115	700	100/bag
BC124-1000	SS304	0.50	12.7	39	1000	0.02	0.40	12.3	313	3115	700	100/bag

Ball Lock Coated-SS316, 12.7mm width

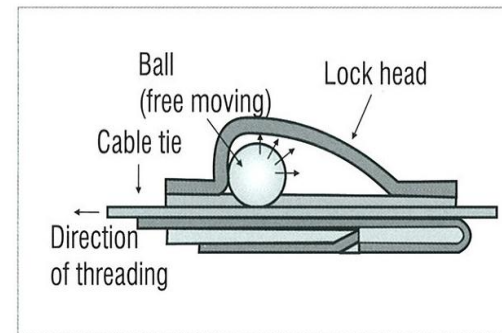
Part No.	Material	Width		Length		Thickness		Max Diameter Single Loop		Minimum Loop Tensile Strength		Package Quantity
		In	mm	In	mm	In	mm	In	mm	N	lbs	
BC126-100	SS316	0.50	12.7	4	100	0.02	0.40	1.1	27	3115	700	100/bag
BC126-150	SS316	0.50	12.7	6	150	0.02	0.40	1.7	43	3115	700	100/bag
BC126-200	SS316	0.50	12.7	8	200	0.02	0.40	2.3	59	3115	700	100/bag
BC126-260	SS316	0.50	12.7	10	260	0.02	0.40	3.1	78	3115	700	100/bag
BC126-360	SS316	0.50	12.7	14	360	0.02	0.40	4.3	110	3115	700	100/bag
BC126-520	SS316	0.50	12.7	20	520	0.02	0.40	6.3	161	3115	700	100/bag
BC126-620	SS316	0.50	12.7	24	620	0.02	0.40	7.6	192	3115	700	100/bag
BC126-840	SS316	0.50	12.7	33	840	0.02	0.40	10.4	263	3115	700	100/bag
BC126-1000	SS316	0.50	12.7	39	1000	0.02	0.40	12.3	313	3115	700	100/bag

Ball Lock Cable Tie Features

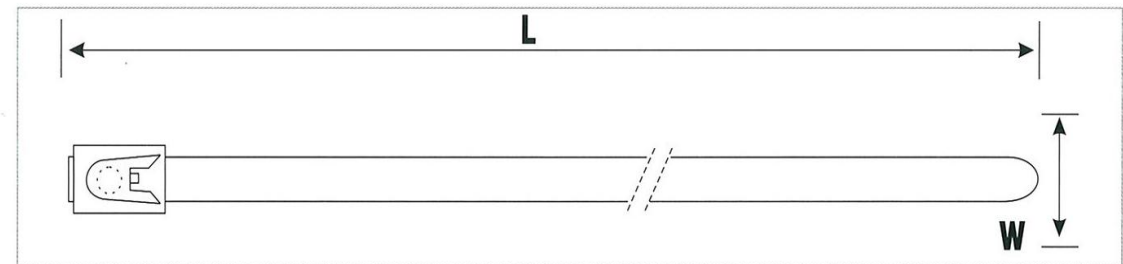
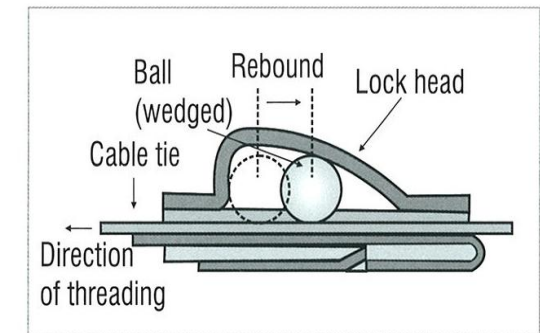
- Self Locking mechanism for fast and easy installation
- Rounded edges and Smooth Surfaces for safe handling
- Flame Retardant, Non-Toxic and Halogen Free
- Fully enclosed head does not allow dirt or grit to interfere with locking mechanism
- Ideal for applications where Corrosion, Vibration, Radiation and Temperature extremes are concerned
- Cable Tie Lock Mechanism Ball made of SS316 ensuring perfect lock in harsh corrosive conditions

Wedge Lock Mechanism

A) Initial Position

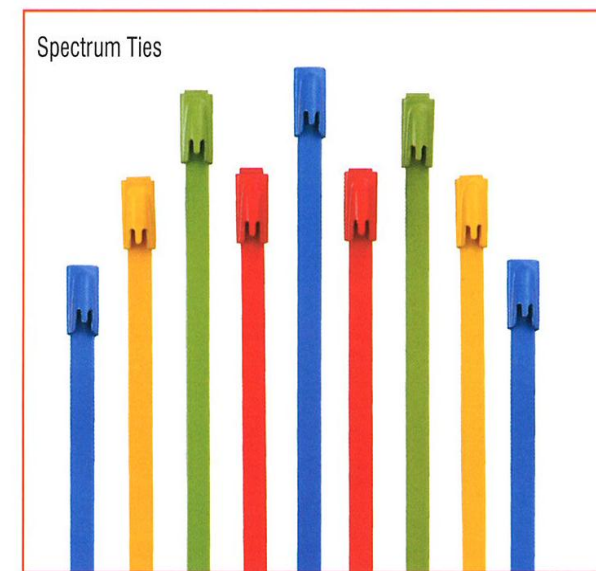


B) Wedge Lock Position



Multicolour Spectrum Ties

- We also provide Stainless Steel Ball Lock Ties in various colour coatings
- Spectrum Ties can be used for easy identification for various phase lines of cables and matching colour surroundings



Multicolour Spectrum Ball Lock Ties