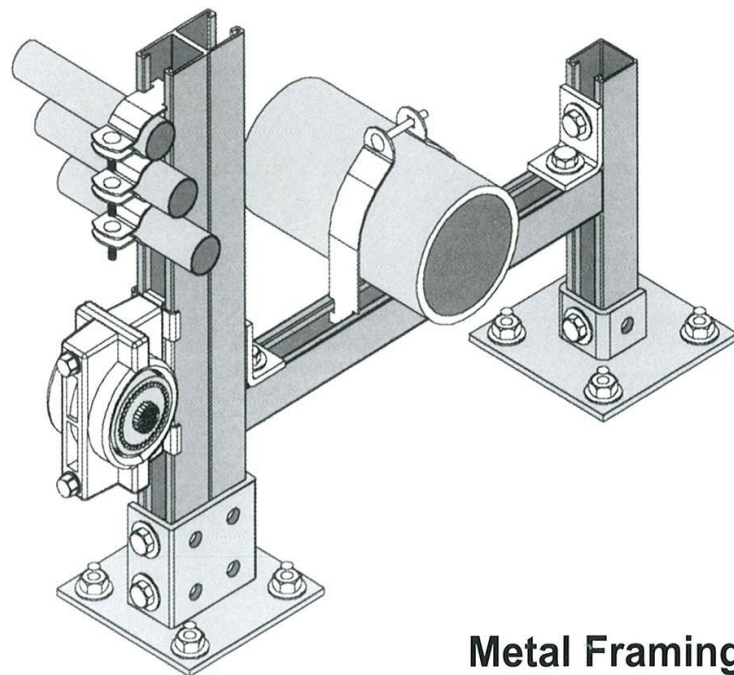
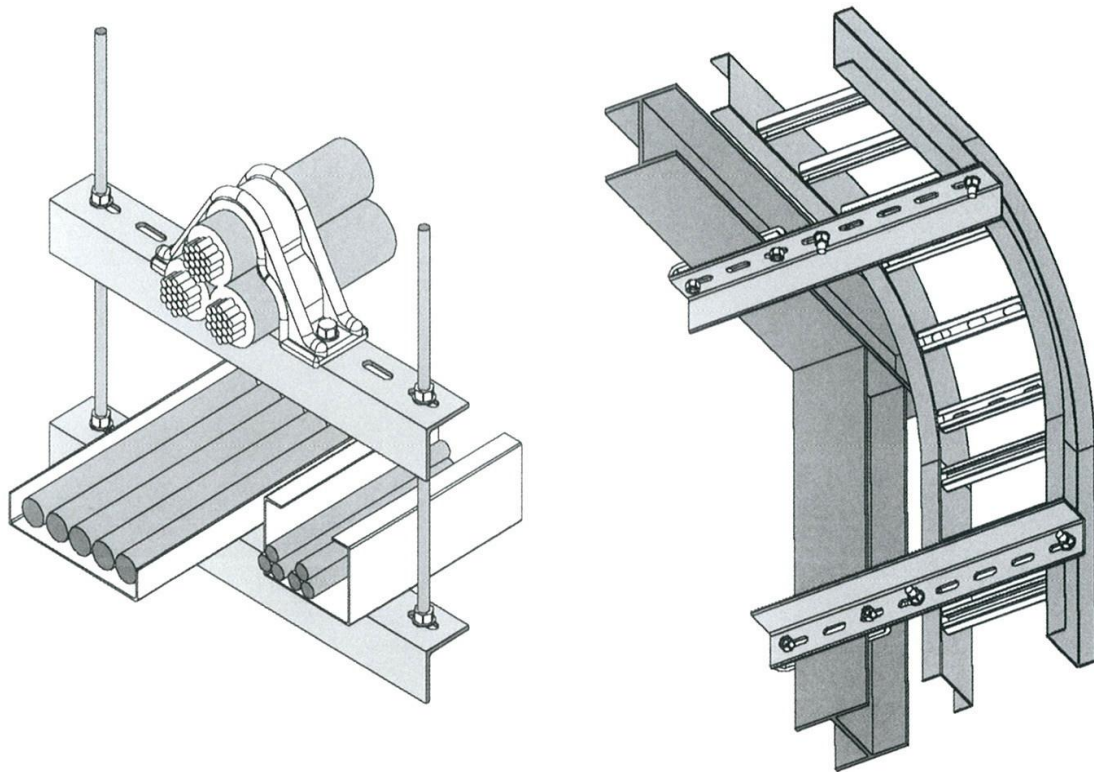


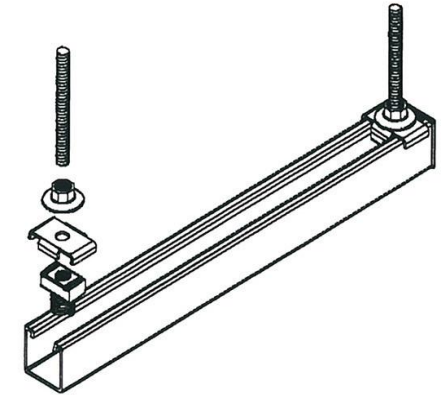
## Applications of Support Systems



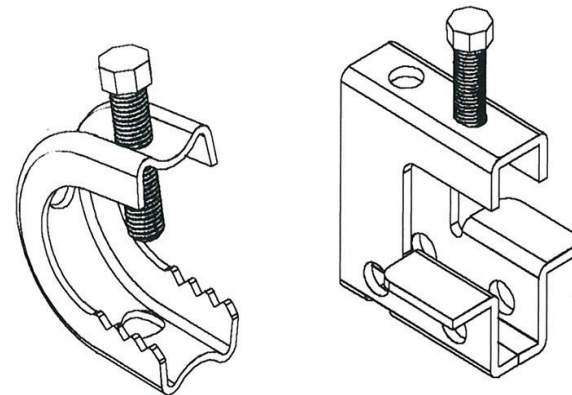
**Metal Framing Supporting Mechanical and Electrical**

## Safe Products

We take safety very seriously and for almost 20 years in our business, we are still offering you the very reliable and safe products for clamping and support. Independent tests are carried out on every product to ensure that we maintain the consistency of product quality. Assortment of coatings offers ultimate corrosion protection in different conditions. Strut channels are very safe indeed to use so long as they are completed with load charts that allows you to choose the ideal channel to support your services. Best of all, it doesn't require special skills to use any of our product. So, don't worry and let us take care of the safety issue for you.



## Economic



A product should not only designed to work safely but also to stay competitive. This is why we offer you a range of products that works better without you overspending on man-hours and toolings. Most of our products are reusable and will not go to the scrap yard. Like beam clamps, because they are mechanically fastened onto the flange, you can loosen the fastening bolt if you need to relocate its position. Yet, you don't leave a hole on the structure nor spent anymore time to grind off weldings and re-paint the structure. Many contractors come close to losing money when re-work is required.

## Ergonomic & Appearance

We like to ensure that you get the compliment at the end of the day for providing a neat job. Not only necessarily mean good-looking but also ergonomically designed to improve maintenance work. Because the maintenance guys are the one giving you the credits to your work. We are saying this because the money you will spent and time specifying our products into your projects is a guaranteed well-spent for your business credentials.

