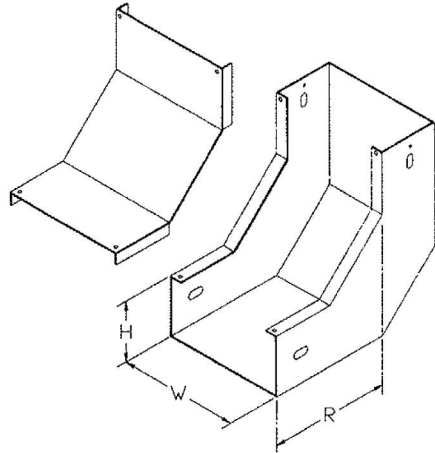
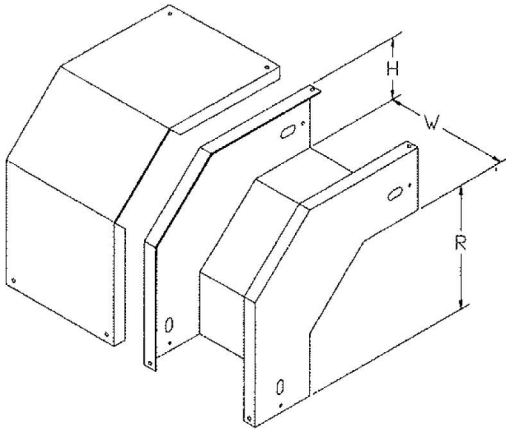


**TRUNKING - OUTSIDE RISER 90°**

**TRUNKING - INSIDE RISER 90°**



STANDARD DIMENSION				
PART NO	W 1(mm)	H (mm)	R (mm)	T (mm)
MPTGOR90/50/50	50	50	R200	1.0 to 2.0
MPTGOR90/50/75	75			
MPTGOR90/50/100	100			
MPTGOR90/50/150	150			
MPTGOR90/50/200	200			
MPTGOR90/75/75	75	75		
MPTGOR90/75/100	100			
MPTGOR90/75/150	150			
MPTGOR90/75/200	200			
MPTGOR90/75/250	250			
MPTGOR90/75/300	300	100		
MPTGOR90/100/100	100			
MPTGOR90/100/150	150			
MPTGOR90/100/200	200			
MPTGOR90/100/250	250			
MPTGOR90/100/300	300	150		
MPTGOR90/150/150	150			
MPTGOR90/150/200	200			
MPTGOR90/150/250	250			
MPTGOR90/150/300	300			

STANDARD DIMENSION				
PART NO	W 1(mm)	H (mm)	R (mm)	T (mm)
MPTGIR90/50/50	50	50	R200	1.0 to 2.0
MPTGIR90/50/75	75			
MPTGIR90/50/100	100			
MPTGIR90/50/150	150			
MPTGIR90/50/200	200			
MPTGIR90/75/75	75	75		
MPTGIR90/75/100	100			
MPTGIR90/75/150	150			
MPTGIR90/75/200	200			
MPTGIR90/75/250	250			
MPTGIR90/75/300	300	100		
MPTGIR90/100/100	100			
MPTGIR90/100/150	150			
MPTGIR90/100/200	200			
MPTGIR90/100/250	250			
MPTGIR90/100/300	300	150		
MPTGIR90/150/150	150			
MPTGIR90/150/200	200			
MPTGIR90/150/250	250			
MPTGIR90/150/300	300			

NOTE : Other sizes are available upon request

**Standard Specifications:**

1. MATERIAL : Mild Steel / SS 304 / SS 316
2. FINISHING : HDG Accordance to ISO 1461 / BS 729 / ASTM A386 / Epoxy Powder Coating
3. FASTENERS : HDG, EZP, SS 304 & SS 316

**REMARKS:**

- MP : METAL PERFORATORS      IR90 : INSIDE RISER 90°  
 TG : TRUNKING                      OR90 : OUTSIDE RISER 90°

**EXAMPLE 1 : MPTGOR90/50/150**  
 METAL PERFORATORS  
 TRUNKING - OUTSIDE RISER 90°  
 50H X 150W

**EXAMPLE 2 : MPTGIR90/50/150**  
 METAL PERFORATORS  
 TRUNKING - INSIDE RISER 90°  
 50H X 150W