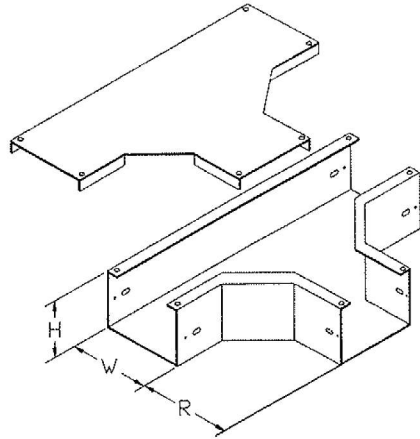
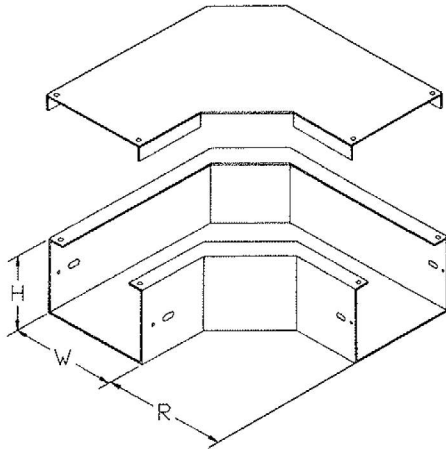


**TRUNKING - HORIZONTAL ELBOW 90°**

**TRUNKING - HORIZONTAL TEE**



**STANDARD DIMENSION**

PART NO	W 1(mm)	H (mm)	R (mm)	T (mm)
MPTGEL90/50/50	50	50	R200	1.0 up to 2.0
MPTGEL90/50/75	75			
MPTGEL90/50/100	100			
MPTGEL90/50/150	150			
MPTGEL90/50/200	200			
MPTGEL90/75/75	75	75		
MPTGEL90/75/100	100			
MPTGEL90/75/150	150			
MPTGEL90/75/200	200			
MPTGEL90/75/250	250			
MPTGEL90/75/300	300			
MPTGEL90/100/100	100	100		
MPTGEL90/100/150	150			
MPTGEL90/100/200	200			
MPTGEL90/100/250	250			
MPTGEL90/100/300	300			
MPTGEL90/150/150	150	150		
MPTGEL90/150/200	200			
MPTGEL90/150/250	250			
MPTGEL90/150/300	300			

**STANDARD DIMENSION**

PART NO	W (mm)	H (mm)	R (mm)	T (mm)
MPTGHT/50/50	50	50	R200	1.0 up to 2.0
MPTGHT/50/75	75			
MPTGHT/50/100	100			
MPTGHT/50/150	150			
MPTGHT/50/200	200			
MPTGHT/75/75	75	75		
MPTGHT/75/100	100			
MPTGHT/75/150	150			
MPTGHT/75/200	200			
MPTGHT/75/250	250			
MPTGHT/75/300	300			
MPTGHT/100/100	100	100		
MPTGHT/100/150	150			
MPTGHT/100/200	200			
MPTGHT/100/250	250			
MPTGHT/100/300	300			
MPTGHT/150/150	150	150		
MPTGHT/150/200	200			
MPTGHT/150/250	250			
MPTGHT/150/300	300			

NOTE : Other sizes are available upon request

**Standard Specifications:**

1. MATERIAL : Mild Steel / SS 304 / SS 316
2. FINISHING : HDG Accordance to ISO 1461 / BS 729 / ASTM A386 / Epoxy Powder Coating
3. FASTENERS : HDG, EZP, SS 304 & SS 316

**REMARKS**

MP : METAL PERFORATORS      EL90 : HORIZONTAL ELBOW 90°  
 TG : TRUNKING                      HT : HORIZONTAL TEE

**EXAMPLE 1 : MPTGEL90/50/150**  
 METAL PERFORATORS  
 TRUNKING - ELBOW 90°  
 50H X 150W

**EXAMPLE 2 : MPTGHT/50/150**  
 METAL PERFORATORS  
 TRUNKING - HORIZONTAL TEE  
 50H X 150W