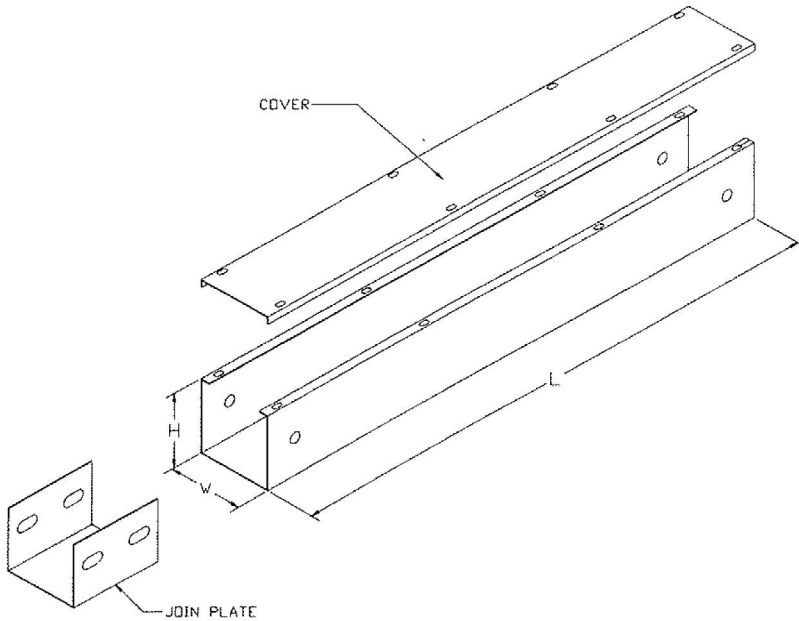


STRAIGHT CABLE TRUNKING



STANDARD DIMENSION

PART NO.	W (mm)	H (mm)	T (mm)	L (mm)
MPSTG/50/50	50	50	1.0 up to 2.0	2438
MPSTG/50/75	75			
MPSTG/50/100	100			
MPSTG/50/150	150			
MPSTG/50/200	200			
MPSTG/75/75	75	75		
MPSTG/75/100	100			
MPSTG/75/150	150			
MPSTG/75/200	200			
MPSTG/75/250	250			
MPSTG/75/300	300	100		
MPSTG/100/100	100			
MPSTG/100/150	150			
MPSTG/100/200	200			
MPSTG/100/250	250			
MPSTG/100/300	300	150		
MPSTG/150/150	150			
MPSTG/150/200	200			
MPSTG/150/250	250			
MPSTG/150/300	300			

NOTE : Other sizes are available upon request

Standard Specifications:

1. MATERIAL : Mild Steel / SS 304 / SS 316
2. STD LENGTH : 2438 mm (± 6mm)
3. FINISHING : HDG Accordance to ISO 1461 / BS 729 / ASTM A386 / Epoxy Powder Coating
4. FASTENERS : HDG, EZP, SS 304 & SS 316

REMARKS:

MP : METAL PERFORATORS
SCT : STRAIGHT TRUNKING

EXAMPLE : MPSTG/100/150

METAL PERFORATORS
STRAIGHT TRUNKING
100H X 150W