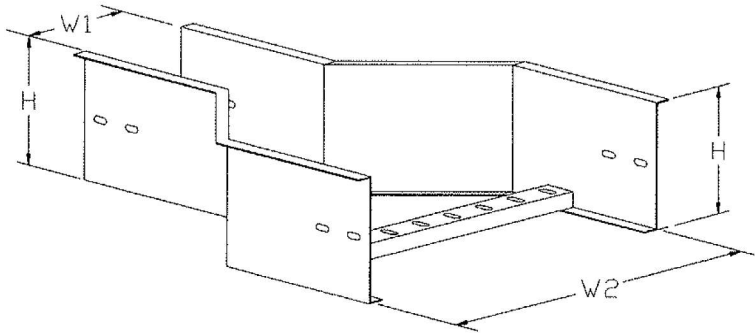


STRAIGHT REDUCER



| Z-TYPE | | | | STANDARD DIMENSION | | | |
|------------------|------------------|------------------|------------------|--------------------|--------|--------|--|
| PART NO. | INWARD C | OUTWARD C | KABELRAX | H(mm) | W1(mm) | W2(mm) | |
| MPLZSR/100/15-20 | MPLISR/100/15-20 | MPLOSR/100/15-20 | MPLKSR/100/15-20 | 100 | 150 | 200 | |
| MPLZSR/100/20-30 | MPLISR/100/20-30 | MPLOSR/100/20-30 | MPLKSR/100/20-30 | | 200 | 300 | |
| MPLZSR/100/30-45 | MPLISR/100/30-45 | MPLOSR/100/30-45 | MPLKSR/100/30-45 | | 300 | 450 | |
| MPLZSR/100/45-60 | MPLISR/100/45-60 | MPLOSR/100/45-60 | MPLKSR/100/45-60 | | 450 | 600 | |
| MPLZSR/100/60-75 | MPLISR/100/60-75 | MPLOSR/100/60-75 | MPLKSR/100/60-75 | | 600 | 750 | |
| MPLZSR/100/75-90 | MPLISR/100/75-90 | MPLOSR/100/75-90 | MPLKSR/100/75-90 | | 750 | 900 | |
| MPLZSR/125/15-20 | MPLISR/125/15-20 | MPLOSR/125/15-20 | MPLKSR/125/15-20 | 125 | 150 | 200 | |
| MPLZSR/125/20-30 | MPLISR/125/20-30 | MPLOSR/125/20-30 | MPLKSR/125/20-30 | | 200 | 300 | |
| MPLZSR/125/30-45 | MPLISR/125/30-45 | MPLOSR/125/30-45 | MPLKSR/125/30-45 | | 300 | 450 | |
| MPLZSR/125/45-60 | MPLISR/125/45-60 | MPLOSR/125/45-60 | MPLKSR/125/45-60 | | 450 | 600 | |
| MPLZSR/125/60-75 | MPLISR/125/60-75 | MPLOSR/125/60-75 | MPLKSR/125/60-75 | | 600 | 750 | |
| MPLZSR/125/75-90 | MPLISR/125/75-90 | MPLOSR/125/75-90 | MPLKSR/125/75-90 | | 750 | 900 | |
| MPLZSR/150/15-20 | MPLISR/150/15-20 | MPLOSR/150/15-20 | MPLKSR/150/15-20 | 150 | 150 | 200 | |
| MPLZSR/150/20-30 | MPLISR/150/20-30 | MPLOSR/150/20-30 | MPLKSR/150/20-30 | | 200 | 300 | |
| MPLZSR/150/30-45 | MPLISR/150/30-45 | MPLOSR/150/30-45 | MPLKSR/150/30-45 | | 300 | 450 | |
| MPLZSR/150/45-60 | MPLISR/150/45-60 | MPLOSR/150/45-60 | MPLKSR/150/45-60 | | 450 | 600 | |
| MPLZSR/150/60-75 | MPLISR/150/60-75 | MPLOSR/150/60-75 | MPLKSR/150/60-75 | | 600 | 750 | |
| MPLZSR/150/75-90 | MPLISR/150/75-90 | MPLOSR/150/75-90 | MPLKSR/150/75-90 | | 750 | 900 | |

NOTE : Other sizes are available upon request

Standard Specifications:

1. TYPE : Z - Type, Outward C, Inward C and Kabelrax
2. MATERIAL : Mild Steel / SS 304 / SS 316
3. THICKNESS : 1.5mm to 3.0mm
4. RADIUS : -
5. FINISHING : HDG Accordance to ISO 1461 / BS 729 / ASTM A386 for Mild Steel
6. FASTENERS : HDG, EZP, SS 304 & SS 316

REMARKS :

MP : METAL PERFORATORS
 Z : Z-TYPE
 SR : STRAIGHT REDUCER
 I : INWARD C
 O : OUTWARD C
 K : KABELRAX

EXAMPLE : MPLZSR/100/15-20
 METAL PERFORATORS
 Z TYPE LADDER
 STRAIGHT REDUCER 100H X 150W-200W