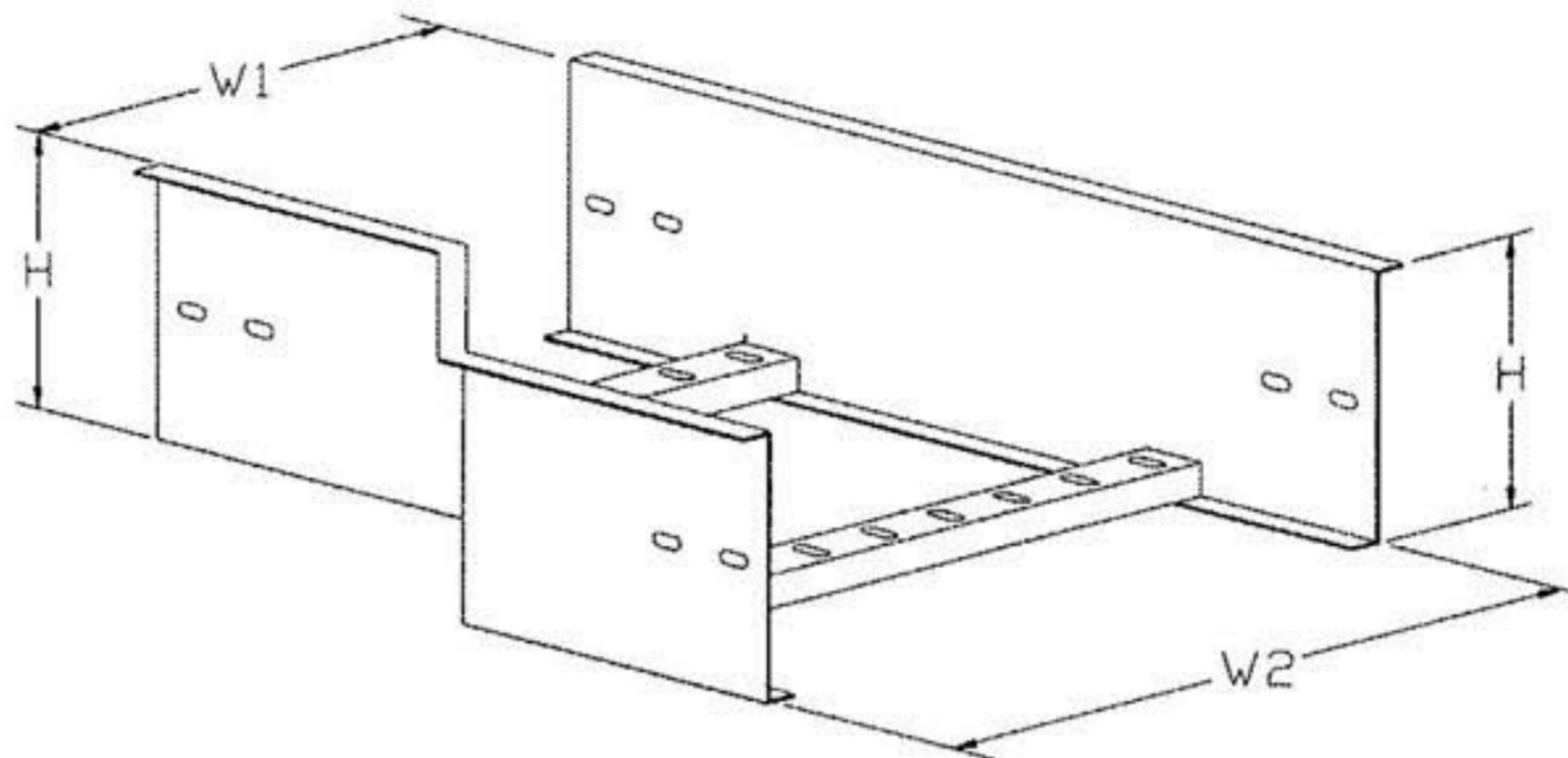


RIGHT REDUCER



Z-TYPE	INWARD C	OUTWARD C	KABELRAX	STANDARD DIMENSION		
PART NO.	PART NO.	PART NO.	PART NO.	H(mm)	W1(mm)	W2(mm)
MPLZRR/100/15-200	MPLIRR/100/15-20	MPLORR/100/15-20	MPLKRR/100/15-20	100	150	200
MPLZRR/100/20-30	MPLIRR/100/20-30	MPLORR/100/20-30	MPLKRR/100/20-30		200	300
MPLZRR/100/30-45	MPLIRR/100/30-45	MPLORR/100/30-45	MPLKRR/100/30-45		300	450
MPLZRR/100/45-60	MPLIRR/100/45-60	MPLORR/100/45-60	MPLKRR/100/45-60		450	600
MPLZRR/100/60-75	MPLIRR/100/60-75	MPLORR/100/60-75	MPLKRR/100/60-75		600	750
MPLZRR/100/75-90	MPLIRR/100/75-90	MPLORR/100/75-90	MPLKRR/100/75-90		750	900
MPLZRR/125/15-200	MPLIRR/125/15-20	MPLORR/125/15-20	MPLKRR/125/15-20	125	150	200
MPLZRR/125/20-30	MPLIRR/125/20-30	MPLORR/125/20-30	MPLKRR/125/20-30		200	300
MPLZRR/125/30-45	MPLIRR/125/30-45	MPLORR/125/30-45	MPLKRR/125/30-45		300	450
MPLZRR/125/45-60	MPLIRR/125/45-60	MPLORR/125/45-60	MPLKRR/125/45-60		450	600
MPLZRR/125/60-75	MPLIRR/125/60-75	MPLORR/125/60-75	MPLKRR/125/60-75		600	750
MPLZRR/125/75-90	MPLIRR/125/75-90	MPLORR/125/75-90	MPLKRR/125/75-90		750	900
MPLZRR/150/15-200	MPLIRR/150/15-20	MPLORR/150/15-20	MPLKRR/150/15-20	150	150	200
MPLZRR/150/20-30	MPLIRR/150/20-30	MPLORR/150/20-30	MPLKRR/150/20-30		200	300
MPLZRR/150/30-45	MPLIRR/150/30-45	MPLORR/150/30-45	MPLKRR/150/30-45		300	450
MPLZRR/150/45-60	MPLIRR/150/45-60	MPLORR/150/45-60	MPLKRR/150/45-60		450	600
MPLZRR/150/60-75	MPLIRR/150/60-75	MPLORR/150/60-75	MPLKRR/150/60-75		600	750
MPLZRR/150/75-90	MPLIRR/150/75-90	MPLORR/150/75-90	MPLKRR/150/75-90		750	900

NOTE : Other sizes are available upon request

Standard Specifications:

1. TYPE : Z - Type, Outward C, Inward C and Kabelrax
2. MATERIAL : Mild Steel / SS 304 / SS 316
3. THICKNESS : 1.5mm to 3.0mm
4. RADIUS : -
5. FINISHING : HDG Accordance to ISO 1461 / BS 729 / ASTM A386 for Mild Steel
6. FASTENERS : HDG, EZP, SS 304 & SS 316

REMARKS :

MP : METAL PERFORATORS
 L : LADDER
 RR : RIGHT REDUCER
 Z : Z-TYPE
 K : KABELRAX
 O : OUTWARD C
 I : INWARD C

EXAMPLE : MPLZRR/100/15-20
 METAL PERFORATORS
 Z TYPE LADDER
 RIGHT REDUCER 100H X 150W-200W