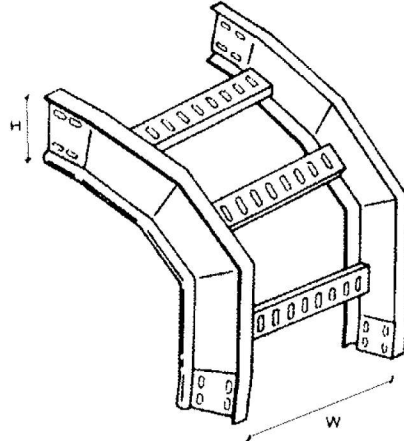
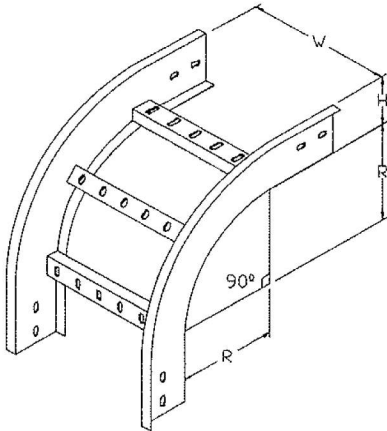


# EXTERNAL RISER 90°



Z-TYPE		INWARD C		OUTWARD C		KABELRAX		STANDARD DIMENSION		
PART NO.	PART NO.	PART NO.	PART NO.	PART NO.	PART NO.	H(mm)	W(mm)	Radius		
MPLZER90/100/15	MPLIER90/100/15	MPLOER90/100/15	MPLKER90/100/15	100	R300 to R900	100	150	R300 to R900		
MPLZER90/100/20	MPLIER90/100/20	MPLOER90/100/20	MPLKER90/100/20				200			
MPLZER90/100/30	MPLIER90/100/30	MPLOER90/100/30	MPLKER90/100/30				300			
MPLZER90/100/45	MPLIER90/100/45	MPLOER90/100/45	MPLKER90/100/45				450			
MPLZER90/100/60	MPLIER90/100/60	MPLOER90/100/60	MPLKER90/100/60				600			
MPLZER90/100/75	MPLIER90/100/75	MPLOER90/100/75	MPLKER90/100/75				750			
MPLZER90/100/90	MPLIER90/100/90	MPLOER90/100/90	MPLKER90/100/90				900			
MPLZER90/125/15	MPLIER90/125/15	MPLOER90/125/15	MPLKER90/125/15	125	R300 to R900	125	150	R300 to R900		
MPLZER90/125/20	MPLIER90/125/20	MPLOER90/125/20	MPLKER90/125/20				200			
MPLZER90/125/30	MPLIER90/125/30	MPLOER90/125/30	MPLKER90/125/30				300			
MPLZER90/125/45	MPLIER90/125/45	MPLOER90/125/45	MPLKER90/125/45				450			
MPLZER90/125/60	MPLIER90/125/60	MPLOER90/125/60	MPLKER90/125/60				600			
MPLZER90/125/75	MPLIER90/125/75	MPLOER90/125/75	MPLKER90/125/75				750			
MPLZER90/125/90	MPLIER90/125/90	MPLOER90/125/90	MPLKER90/125/90				900			
MPLZER90/150/15	MPLIER90/150/15	MPLOER90/150/15	MPLKER90/150/15	150	R300 to R900	150	150	R300 to R900		
MPLZER90/150/20	MPLIER90/150/20	MPLOER90/150/20	MPLKER90/150/20				200			
MPLZER90/150/30	MPLIER90/150/30	MPLOER90/150/30	MPLKER90/150/30				300			
MPLZER90/150/45	MPLIER90/150/45	MPLOER90/150/45	MPLKER90/150/45				450			
MPLZER90/150/60	MPLIER90/150/60	MPLOER90/150/60	MPLKER90/150/60				600			
MPLZER90/150/75	MPLIER90/150/75	MPLOER90/150/75	MPLKER90/150/75				750			
MPLZER90/150/90	MPLIER90/150/90	MPLOER90/150/90	MPLKER90/150/90				900			

NOTE : Other sizes are available upon request

## Standard Specifications:

1. TYPE : Z - Type, Outward C, Inward C and Kabelrax
2. MATERIAL : Mild Steel / SS 304 / SS 316
3. THICKNESS : 1.5mm to 3.0mm
4. RADIUS : R300mm to R900mm ( Standard R300mm )
5. FINISHING : HDG - ISO 1461 / BS 729 / ASTM A386
6. FASTENERS : HDG, EZP, SS 304 & SS 316

## REMARKS :

- MP : METAL PERFORATORS
- L : LADDER
- ER90 : EXTERNAL RISER 90°
- Z : Z -TYPE
- K : KABELRAX
- O : OUTWARD C
- I : INWARD C

## EXAMPLE : MPLZER90/100/15

- METAL PERFORATORS
- Z TYPE LADDER
- EXTERNAL RISER 90° 100H X 150W