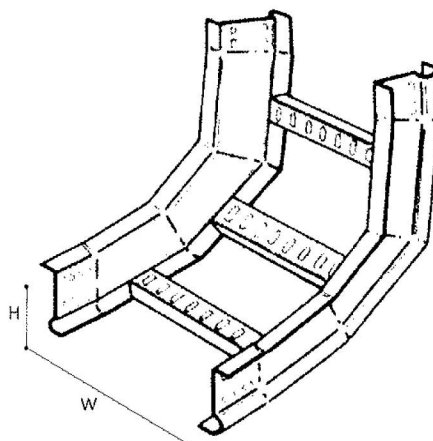
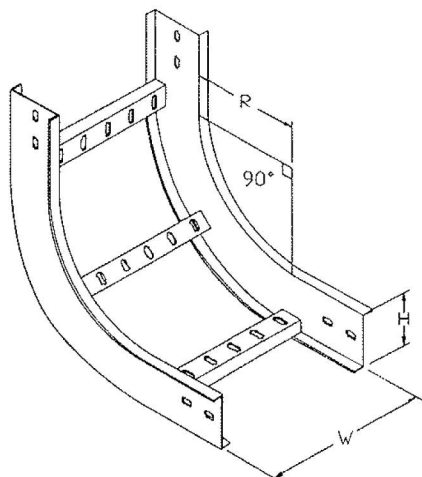


INTERNAL VERTICAL RISER 90°



Z-TYPE				INWARD C				OUTWARD C				KABELRAX				STANDARD DIMENSION																																																				
PART NO.		PART NO.		PART NO.		PART NO.		PART NO.		PART NO.		PART NO.		H(mm)		W(mm)		Radius																																																		
MPLZIR90/100/15	MPLIIR90/100/15	MPLOIR90/100/15	MPLKIR90/100/15											100	150	200	300	450	600	750	900	R300 to R900																																														
MPLZIR90/100/20	MPLIIR90/100/20	MPLOIR90/100/20	MPLKIR90/100/20																					125	200	300	450	600	750	900	R300 to R900																																					
MPLZIR90/100/30	MPLIIR90/100/30	MPLOIR90/100/30	MPLKIR90/100/30																														150	200	300	450	600	750	900	R300 to R900																												
MPLZIR90/100/45	MPLIIR90/100/45	MPLOIR90/100/45	MPLKIR90/100/45																																							150	200	300	450	600	750	900	R300 to R900																			
MPLZIR90/100/60	MPLIIR90/100/60	MPLOIR90/100/60	MPLKIR90/100/60																																																150	200	300	450	600	750	900	R300 to R900										
MPLZIR90/100/75	MPLIIR90/100/75	MPLOIR90/100/75	MPLKIR90/100/75																																																									150	200	300	450	600	750	900	R300 to R900	
MPLZIR90/100/90	MPLIIR90/100/90	MPLOIR90/100/90	MPLKIR90/100/90																																																																	
MPLZIR90/125/15	MPLIIR90/125/15	MPLOIR90/125/15	MPLKIR90/125/15											125	150	200	300	450	600	750	900	R300 to R900																																														
MPLZIR90/125/20	MPLIIR90/125/20	MPLOIR90/125/20	MPLKIR90/125/20																					150	200	300	450	600	750	900	R300 to R900																																					
MPLZIR90/125/30	MPLIIR90/125/30	MPLOIR90/125/30	MPLKIR90/125/30																														150	200	300	450	600	750	900	R300 to R900																												
MPLZIR90/125/45	MPLIIR90/125/45	MPLOIR90/125/45	MPLKIR90/125/45																																							150	200	300	450	600	750	900	R300 to R900																			
MPLZIR90/125/60	MPLIIR90/125/60	MPLOIR90/125/60	MPLKIR90/125/60																																																150	200	300	450	600	750	900	R300 to R900										
MPLZIR90/125/75	MPLIIR90/125/75	MPLOIR90/125/75	MPLKIR90/125/75																																																									150	200	300	450	600	750	900	R300 to R900	
MPLZIR90/125/90	MPLIIR90/125/90	MPLOIR90/125/90	MPLKIR90/125/90																																																																	
MPLZIR90/150/15	MPLIIR90/150/15	MPLOIR90/150/15	MPLKIR90/150/15											150	150	200	300	450	600	750	900	R300 to R900																																														
MPLZIR90/150/20	MPLIIR90/150/20	MPLOIR90/150/20	MPLKIR90/150/20																					150	200	300	450	600	750	900	R300 to R900																																					
MPLZIR90/150/30	MPLIIR90/150/30	MPLOIR90/150/30	MPLKIR90/150/30																														150	200	300	450	600	750	900	R300 to R900																												
MPLZIR90/150/45	MPLIIR90/150/45	MPLOIR90/150/45	MPLKIR90/150/45																																							150	200	300	450	600	750	900	R300 to R900																			
MPLZIR90/150/60	MPLIIR90/150/60	MPLOIR90/150/60	MPLKIR90/150/60																																																150	200	300	450	600	750	900	R300 to R900										
MPLZIR90/150/75	MPLIIR90/150/75	MPLOIR90/150/75	MPLKIR90/150/75																																																									150	200	300	450	600	750	900	R300 to R900	
MPLZIR90/150/90	MPLIIR90/150/90	MPLOIR90/150/90	MPLKIR90/150/90																																																																	

NOTE : Other sizes are available upon request

Standard Specifications:

1. TYPE : Z - Type, Outward C, Inward C and Kabelrax
2. MATERIAL : Mild Steel / SS 304 / SS 316
3. THICKNESS : 1.5mm to 3.0mm
4. RADIUS : R300mm to R900mm (Standard R300mm)
5. FINISHING : HDG Accordance to ISO 1461 / BS 729 / ASTM A386 for Mild Steel
6. FASTENERS : HDG, EZP, SS 304 & SS 316

REMARKS :

- MP : METAL PERFORATORS
- L : LADDER
- IR90 : INTERNAL RISER 90°
- Z : Z-TYPE
- K : KABELRAX
- O : OUTWARD C
- I : INWARD C

- EXAMPLE : MPLZER90/100/15**
- METAL PERFORATORS
 - Z TYPE LADDER
 - INTERNAL RISER 90° 100H X 150W