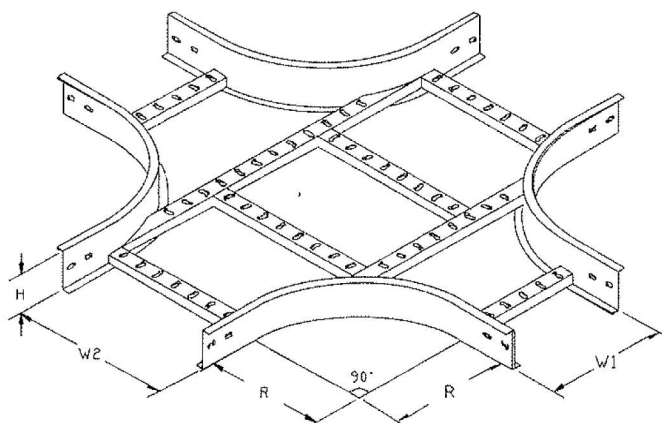


# HORIZONTAL UNEQUAL CROSS



Z-TYPE		INWARD C	OUTWARD C	KABELRAX	STANDARD DIMENSION			
PART NO.	PART NO.	PART NO.	PART NO.		H(mm)	W1(mm)	W2(mm)	Radius
MPLZUC/100/20-15	MPLIUC/100/20-15	MPLOUC/100/20-15	MPLKUC/100/20-15	100	100	200	150	R300 to R900
MPLZUC/100/30-20	MPLIUC/100/30-20	MPLOUC/100/30-20	MPLKUC/100/30-20			300	200	
MPLZUC/100/45-30	MPLIUC/100/45-30	MPLOUC/100/45-30	MPLKUC/100/45-30			450	300	
MPLZUC/100/60-45	MPLIUC/100/60-45	MPLOUC/100/60-45	MPLKUC/100/60-45			600	450	
MPLZUC/100/75-60	MPLIUC/100/75-60	MPLOUC/100/75-60	MPLKUC/100/75-60			750	600	
MPLZUC/100/90-75	MPLIUC/100/90-75	MPLOUC/100/90-75	MPLKUC/100/90-75			900	750	
MPLZUC/125/20-15	MPLIUC/125/20-15	MPLOUC/125/20-15	MPLKUC/125/20-15	125	125	200	150	R300 to R900
MPLZUC/125/30-20	MPLIUC/125/30-20	MPLOUC/125/30-20	MPLKUC/125/30-20			300	200	
MPLZUC/125/45-30	MPLIUC/125/45-30	MPLOUC/125/45-30	MPLKUC/125/45-30			450	300	
MPLZUC/125/60-45	MPLIUC/125/60-45	MPLOUC/125/60-45	MPLKUC/125/60-45			600	450	
MPLZUC/125/75-60	MPLIUC/125/75-60	MPLOUC/125/75-60	MPLKUC/125/75-60			750	600	
MPLZUC/125/90-75	MPLIUC/125/90-75	MPLOUC/125/90-75	MPLKUC/125/90-75			900	750	
MPLZUC/150/20-15	MPLIUC/150/20-15	MPLOUC/150/20-15	MPLKUC/150/20-15	150	150	200	150	R300 to R900
MPLZUC/150/30-20	MPLIUC/150/30-20	MPLOUC/150/30-20	MPLKUC/150/30-20			300	200	
MPLZUC/150/45-30	MPLIUC/150/45-30	MPLOUC/150/45-30	MPLKUC/150/45-30			450	300	
MPLZUC/150/60-45	MPLIUC/150/60-45	MPLOUC/150/60-45	MPLKUC/150/60-45			600	450	
MPLZUC/150/75-60	MPLIUC/150/75-60	MPLOUC/150/75-60	MPLKUC/150/75-60			750	600	
MPLZUC/150/90-75	MPLIUC/150/90-75	MPLOUC/150/90-75	MPLKUC/150/90-75			900	750	

NOTE : Other sizes are available upon request

## Standard Specifications:

1. TYPE : Z - Type, Outward C, Inward C and Kabelrax
2. MATERIAL : Mild Steel / SS 304 / SS 316
3. THICKNESS : 1.5mm to 3.0mm
4. RADIUS : R300mm to R900mm ( Standard R300mm )
5. FINISHING : HDG Accordance to ISO 1461 / BS 729 / ASTM A386 for Mild Steel
6. FASTENERS : HDG, EZP, SS 304 & SS 316

## REMARKS :

MP	: METAL PERFORATORS	<b>EXAMPLE : MPLZUC/100/20-15</b>
L	: LADDER	METAL PERFORATORS
UC	: UNEQUAL CROSS	Z TYPE LADDER
Z	: Z -TYPE	UNEQUAL CROSS 100H X 200W-150W
K	: KABELRAX	
O	: OUTWARD C	
I	: INWARD C	