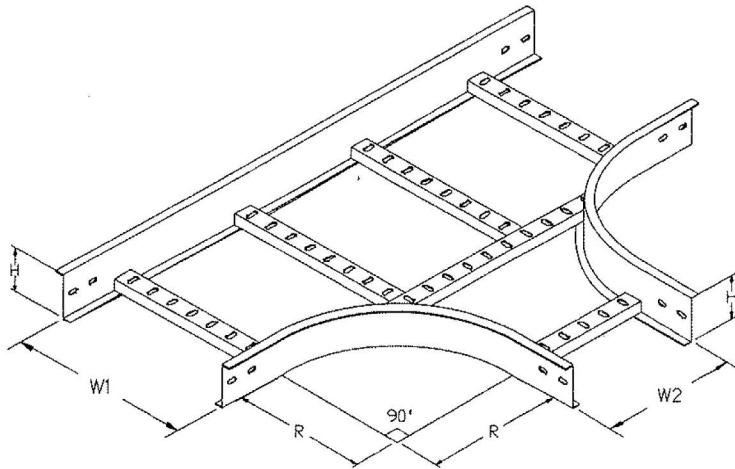


HORIZONTAL UNEQUAL TEE



Z-TYPE		INWARD C		OUTWARD C		KABELRAX		STANDARD DIMENSION			
PART NO.	PART NO.	PART NO.	PART NO.	PART NO.	PART NO.	H(mm)	W1(mm)	W2(mm)	Radius		
MPLZUT/100/20-15	MPLIUT/100/20-15	MPLIUT/100/20-15	MPLIUT/100/20-15	MPLIUT/100/20-15	MPLIUT/100/20-15	100	200	150	R300 to R900		
MPLZUT/100/30-20	MPLIUT/100/30-20	MPLIUT/100/30-20	MPLIUT/100/30-20	MPLIUT/100/30-20	300		200				
MPLZUT/100/45-30	MPLIUT/100/45-30	MPLIUT/100/45-30	MPLIUT/100/45-30	MPLIUT/100/45-30	450		300				
MPLZUT/100/60-45	MPLIUT/100/60-45	MPLIUT/100/60-45	MPLIUT/100/60-45	MPLIUT/100/60-45	600		450				
MPLZUT/100/75-60	MPLIUT/100/75-60	MPLIUT/100/75-60	MPLIUT/100/75-60	MPLIUT/100/75-60	750		600				
MPLZUT/100/90-75	MPLIUT/100/90-75	MPLIUT/100/90-75	MPLIUT/100/90-75	MPLIUT/100/90-75	900		750				
MPLZUT/100/20-15	MPLIUT/125/20-15	MPLIUT/125/20-15	MPLIUT/125/20-15	MPLIUT/125/20-15	MPLIUT/125/20-15	125	200	150	R300 to R900		
MPLZUT/125/30-20	MPLIUT/125/30-20	MPLIUT/125/30-20	MPLIUT/125/30-20	MPLIUT/125/30-20	300		200				
MPLZUT/125/45-30	MPLIUT/125/45-30	MPLIUT/125/45-30	MPLIUT/125/45-30	MPLIUT/125/45-30	450		300				
MPLZUT/125/60-45	MPLIUT/125/60-45	MPLIUT/125/60-45	MPLIUT/125/60-45	MPLIUT/125/60-45	600		450				
MPLZUT/125/75-60	MPLIUT/125/75-60	MPLIUT/125/75-60	MPLIUT/125/75-60	MPLIUT/125/75-60	750		600				
MPLZUT/125/90-75	MPLIUT/125/90-75	MPLIUT/125/90-75	MPLIUT/125/90-75	MPLIUT/125/90-75	900		750				
MPLZUT/150/20-15	MPLIUT/150/20-15	MPLIUT/150/20-15	MPLIUT/150/20-15	MPLIUT/150/20-15	MPLIUT/150/20-15	150	200	150	R300 to R900		
MPLZUT/150/30-20	MPLIUT/150/30-20	MPLIUT/150/30-20	MPLIUT/150/30-20	MPLIUT/150/30-20	300		200				
MPLZUT/150/45-30	MPLIUT/150/45-30	MPLIUT/150/45-30	MPLIUT/150/45-30	MPLIUT/150/45-30	450		300				
MPLZUT/150/60-45	MPLIUT/150/60-45	MPLIUT/150/60-45	MPLIUT/150/60-45	MPLIUT/150/60-45	600		450				
MPLZUT/150/75-60	MPLIUT/150/75-60	MPLIUT/150/75-60	MPLIUT/150/75-60	MPLIUT/150/75-60	750		600				
MPLZUT/150/90-75	MPLIUT/150/90-75	MPLIUT/150/90-75	MPLIUT/150/90-75	MPLIUT/150/90-75	900		750				

NOTE : Other sizes are available upon request

Standard Specifications:

1. TYPE : Z - Type, Outward C, Inward C and Kabelrax
2. MATERIAL : Mild Steel / SS 304 / SS 316
3. THICKNESS : 1.5mm to 3.0mm
4. RADIUS : R300mm to R900mm (Standard R300mm)
5. FINISHING : HDG - ISO 1461 / BS 729 / ASTM A386
6. FASTENERS : HDG, EZP, SS 304 & SS 316

REMARKS :

MP : METAL PERFORATORS
 L : LADDER
 Z : Z-TYPE
 K : KABELRAX
 O : OUTWARD C
 I : INWARD C

EXAMPLE : MPLZUT/100/20-15
 METAL PERFORATORS
 Z TYPE LADDER
 UNEQUAL TEE 100H X 200W-150W