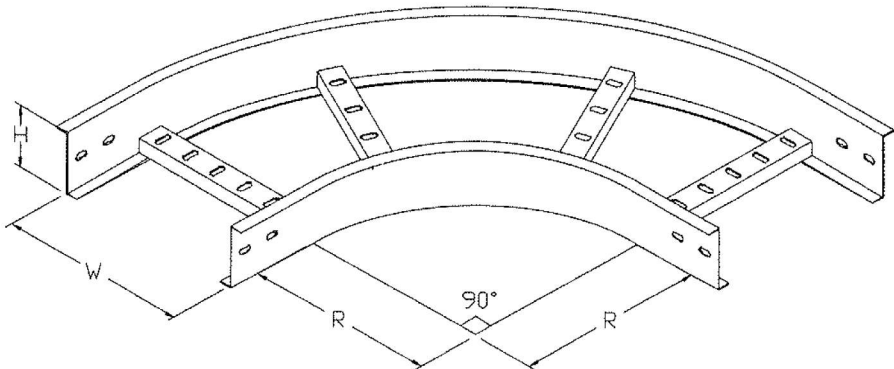


HORIZONTAL ELBOW 90°



Z-TYPE		INWARD C	OUTWARD C	KABELRAX	STANDARD DIMENSION		
PART NO.	PART NO.	PART NO.	PART NO.		H(mm)	W(mm)	R (mm)
MPLZEL90/100/15	MPLIEL90/100/15	MPLOEL90/100/15	MPLKEL90/100/15		100	150	R300 to R900
MPLZEL90/100/20	MPLIEL90/100/20	MPLOEL90/100/20	MPLKEL90/100/20			200	
MPLZEL90/100/30	MPLIEL90/100/30	MPLOEL90/100/30	MPLKEL90/100/30			300	
MPLZEL90/100/45	MPLIEL90/100/45	MPLOEL90/100/45	MPLKEL90/100/45			450	
MPLZEL90/100/60	MPLIEL90/100/60	MPLOEL90/100/60	MPLKEL90/100/60			600	
MPLZEL90/100/75	MPLIEL90/100/75	MPLOEL90/100/75	MPLKEL90/100/75			750	
MPLZEL90/100/90	MPLIEL90/100/90	MPLOEL90/100/90	MPLKEL90/100/90			900	
MPLZEL90/125/15	MPLIEL90/125/15	MPLOEL90/125/15	MPLKEL90/125/15		125	150	R300 to R900
MPLZEL90/125/20	MPLIEL90/125/20	MPLOEL90/125/20	MPLKEL90/125/20			200	
MPLZEL90/125/30	MPLIEL90/125/30	MPLOEL90/125/30	MPLKEL90/125/30			300	
MPLZEL90/125/45	MPLIEL90/125/45	MPLOEL90/125/45	MPLKEL90/125/45			450	
MPLZEL90/125/60	MPLIEL90/125/60	MPLOEL90/125/60	MPLKEL90/125/60			600	
MPLZEL90/125/75	MPLIEL90/125/75	MPLOEL90/125/75	MPLKEL90/125/75			750	
MPLZEL90/125/90	MPLIEL90/125/90	MPLOEL90/125/90	MPLKEL90/125/90			900	
MPLZEL90/150/15	MPLIEL90/150/15	MPLOEL90/150/15	MPLKEL90/150/15		150	150	R300 to R900
MPLZEL90/150/20	MPLIEL90/150/20	MPLOEL90/150/20	MPLKEL90/150/20			200	
MPLZEL90/150/30	MPLIEL90/150/30	MPLOEL90/150/30	MPLKEL90/150/30			300	
MPLZEL90/150/45	MPLIEL90/150/45	MPLOEL90/150/45	MPLKEL90/150/45			450	
MPLZEL90/150/60	MPLIEL90/150/60	MPLOEL90/150/60	MPLKEL90/150/60			600	
MPLZEL90/150/75	MPLIEL90/150/75	MPLOEL90/150/75	MPLKEL90/150/75			750	
MPLZEL90/150/90	MPLIEL90/150/90	MPLOEL90/150/90	MPLKEL90/150/90			900	

NOTE : Other sizes are available upon request

Standard Specifications:

1. TYPE : Z - Type, Outward C, Inward C and Kabelrax
2. MATERIAL : Mild Steel / SS 304 / SS 316
3. THICKNESS : 1.5mm to 3.0mm
4. RADIUS : R300mm to R900mm (Standard R300mm)
5. FINISHING : HDG - ISO 1461 / BS 729 / ASTM A386
6. FASTENERS : HDG, EZP, SS 304 & SS 316

REMARKS :

MP : METAL PERFORATORS
 L : LADDER
 EL90 : HORIZONTAL ELBOW 90°
 Z : Z-TYPE
 K : KABELRAX
 O : OUTWARD C
 I : INWARD C

EXAMPLE : MPLZEL90/100/15
 METAL PERFORATORS
 Z TYPE LADDER
 HORIZONTAL ELBOW 90° 100H X 150W